



An ISO 9001 Company



IS-14846



CM/L-9301261

IS-5312



CM/L-9157381

Controlling Fluids
is our **Expertise...**

www.kartarvalves.com

Since
1972

Sluice Valves
Non Return Valves
Foot Valves
Strainers

KARTAR Sluice valves are result of constant research for a better and user-friendly product & they are manufactured under strict quality control of our technically expert staff and state of the art machinery. They are used for varied range of applications, fluids, pressures and temperatures.



Sluice Valve (Non Rising)
K 501, 502, 503, 504



OS&Y TYPE (Rising Stem)
K 505, 506



Sluice Valve (Extra Strong) PN20
K 504-X, 504-XX

with add on Accessories



Sluice Valve with Gear

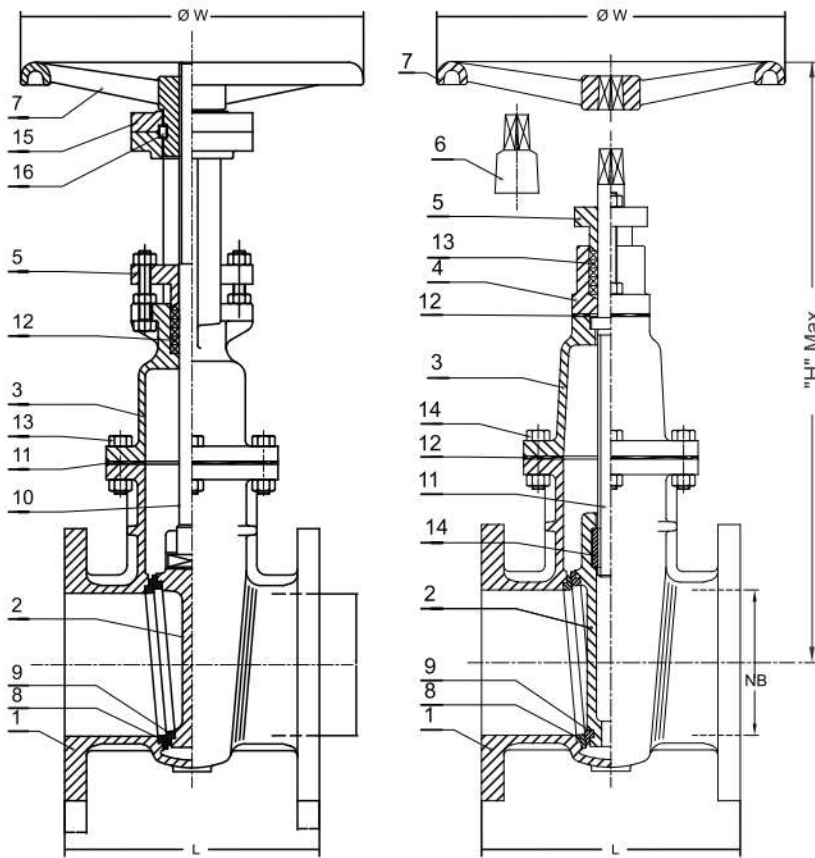


Sluice Valve with Electric Actuator



Sluice Valve with Locking Arrangement

Other Accessories Available • **Extension Stem** • **Position Indicator** • **Back seat Arrangements**



Rising Stem

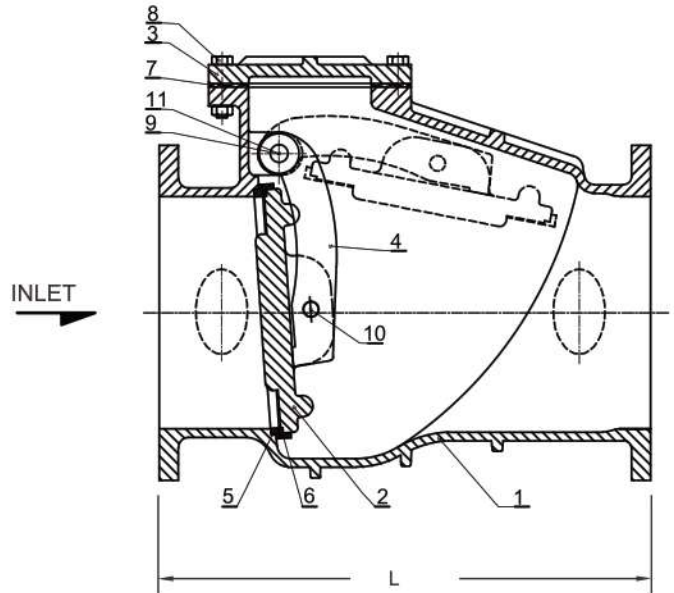
Non Rising Stem

OVERALL DIMENSIONS (in mm)

Size	Distance Flange to Flange	Size of Handwheel	Height center to top
NB (Min.)	L	ØW	H max
50 mm	178±2	225	365
65 mm	190	225	380
80 mm	203	225	425
100 mm	229	320	470
125 mm	254	320	485
150 mm	267	320	595
200 mm	292	360	725
250 mm	330±3	400	835
300 mm	356	400	910
350 mm	381	500	1020
400 mm	406	640	1110
450 mm	432	720	1200
500 mm	457	720	1300
600 mm	508	720	1500

Part No.	Part Name	Materials	Specifications
1 2 3	Body, Wedge, Bonnet	Cast Iron/	IS 210, FG 200
4 5	Stuffing Box, Gland,	Ductile Iron	IS 1865, 500/7
6 7	Cap, Hand Wheel		
8	Body Seat Ring	Leaded Tin Bronze	IS - 318 LTB - 2
9	Wedge Facing Ring	Alloy Steel	IS - 3444 Gr. 1/4/10
		Stainless Steel	IS 6603 04Cr. 18 Ni10
10	Stem	Stainless Steel	IS 6603 or AISI 410
		HT Brass	IS 320 or 6912
11	Gasket	Rubber	IS 638 Type B
12	Gland Packing	Jute & Hemp / Rubber	IS 5414 / IS 638 Type B
13	Nuts & Bolts	Carbon Steel	IS 1363
14	Wedge Nut	Leaded Tin Bronze	IS - 318 LTB - 2
		High Tensile Brass	IS 320 HTB 2
			IS 6912 FHTB - 2
15	Locking Flange	Cast Iron	IS 210, FG 200
		Ductile Iron	IS 1865 500/7
16	Locking Coller	Ductile Iron	IS 1865 500/7

PN Rating: Available in **PN 1.0, PN 1.6, PN 2.0**
(See table on page no. 9)



K 514, K 515
K 516, K 517

Applications: **Water, Oil, Air**

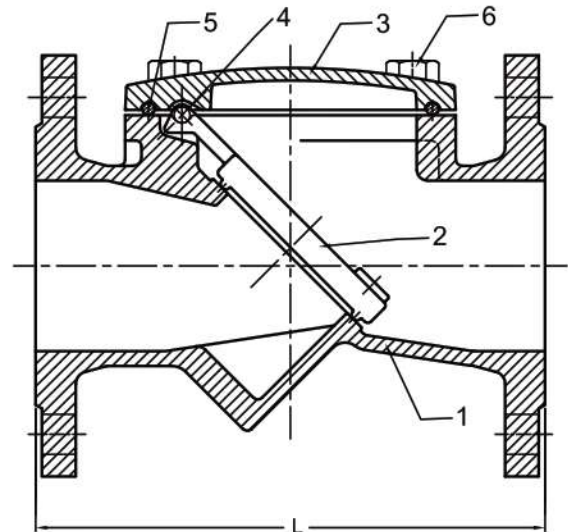
PN Rating: Available in **PN 1.0, PN 1.6, PN 2.0**
(See table on page no. 9)

OVERALL DIMENSIONS (in mm)

Size	Distance Flange to Flange
NB (Min.)	L
50	203
65	216
80	241
100	292
125	330
150	356
200	495
250	622
300	698
350	787
400	914
450	978
500	978
600	1295

Part No.	Part Name	Material	Specifications
1 2 3	Body, Door, Cover Plate	Cast Iron	IS 210, FG 200
4	Hinge	Ductile Iron	IS 1865, 500/7
		Cast Steel	IS 1030 230-450W
5	Body Facing Ring	Leaded Tin Bronze	IS - 318 LTB - 2
		Stainless Steel	IS - 3444 Gr1/Gr4/Gr10
6	Door Face	Leaded Tin Bronze	IS - 318 LTB - 2
		Stainless Steel	IS - 3444 Gr1/Gr4/Gr10
		Rubber	638, Type B
7	Gasket	Rubber	IS 638 Type B
		CAF	IS 2712
8	Nuts & Bolts	Carbon Steel	IS 1363
9, 10	Hinge Pin, Door Pin & Suspension Pin	HT Brass	IS - 320 HT - 2
		Stainless Steel	IS 6603
11	Side Plug	Leaded Tin Bronze	IS - 318 LTB - 2
		Stainless Steel	IS - 6603 12Cr12

D.I. Non Return (Reflux) Valves



K 517 D

Applications: **Water, Air**

PN Rating: Available in **PN 1.6, PN 2.0**
(See table on page no. 9)

Nominal Size (DN)	50-200 mm	Size	Distance Flange to Flange
Nominal Pressure	PN16 / PN 20	NB (Min.)	L
Shell Testing Pressure	24 bar / 30 bar	50	203
Seat Testing Pressure	18 bar / 22 bar	65	216
Application Temperature	≤ 80°C	80	241
Medium	Drinking Water, Sewage, Oil	100	292
Key Material	Ductile Iron with fusion bonded epoxy coating (shade RAL5005)	125	330
		150	356
		200	495

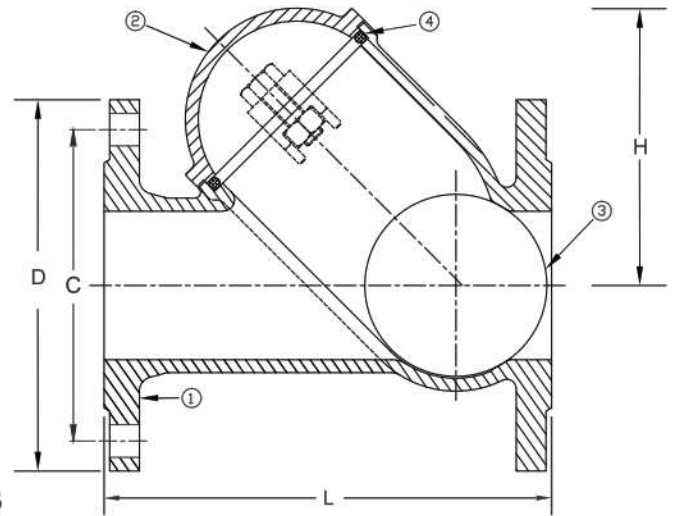
Standard flange dimensions as per IS : 9523

Part No.	Part Name	Material	Specifications
1	Body	Ductile Iron	IS 1865 SG.400/15 / GGG-40 & above
2	Door	Ductile Iron/Mild Steel	IS 1865 SG.400/15 / GGG-40 & above
3	Cover Plate	Ductile Iron	IS 1865 SG.400/15 / GGG-40 & above
4	Hing Pin	Stainless Steel	IS 6603 12Cr.12 (AISI-410)
5	Gasket	RUBBER	IS 638 type-B / EPDM
6	Bolts	Carbon Steel	-
7	Door Lining	Rubber Bonded	EPDM RUBBER

Ball Type Non Return Valves



Application: **Water**
PN Rating: Available in **PN 1.0, PN 1.6**
(See table on page no. 9)



K 520

Part No.	Part Name	Material & Grade
1.	Body	Ductile Iron (IS:1865 SG:450/10)
2.	Cover	Ductile Iron (IS:1865 SG:450/10)
3.	Ball	Steel With Rubber Coating
4.	Gasket	Rubber (IS:638 Type B)

* The Design, material & specifications shown are subject to change without notice due to the continuous developments of our Product range.

OVERALL DIMENSIONS (in mm)

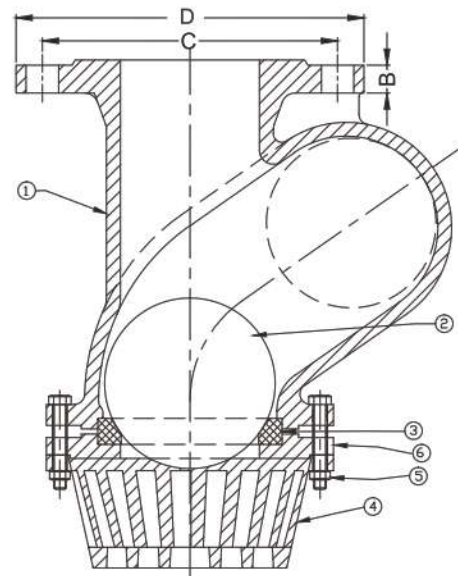
Size Mm	L	D	C	H Approx. Max.
50	203	165	125	101
80	241	200	160	148
100	292	220	180	182
150	356	285	240	251

Ball Type Foot Valves



K 521

Application: **Water**
PN Rating: Available in **PN 1.0, PN 1.6** (See table on page no. 9)



OVERALL DIMENSIONS (in mm)

Tolerances	D	C	B
50mm	165	125	16
80mm	200	160	16
100mm	220	180	16
150mm	285	240	16

Part No.	Part Name	Material & Grade	Specifications
1	Body	Ductile Iron	IS: 1865 SG 450/10
2	Ball	Steel with Rubber Coated	
3	Seat	Rubber	IS:638 Type-B
4	Strainer	Ductile Iron	IS: 1865 SG 450/10
5	Nuts & Bolts	Carbon Steel	-
6	Seat Plate	Ductile Iron	IS: 1865 SG 450/10

Foot Valves (Swing Type)



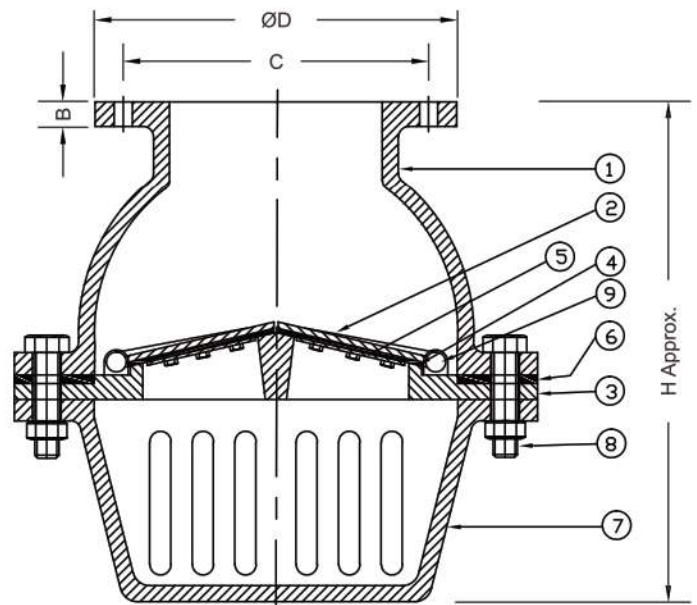
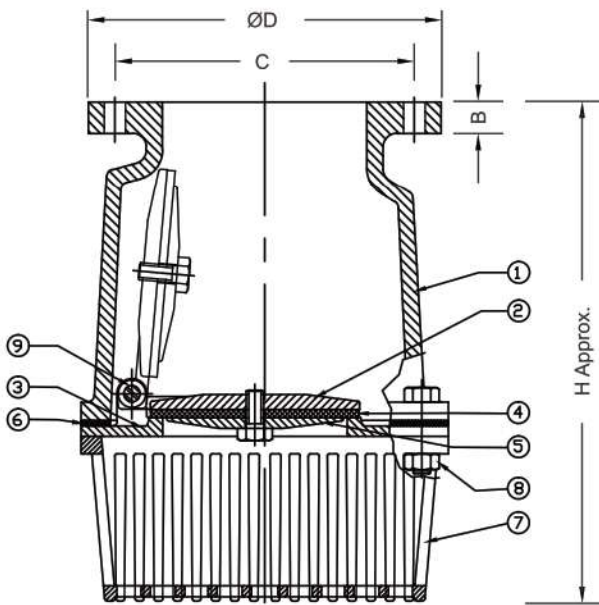
Single Door



Double Door

K 518

K 519



Part No.	Part Name	Material	Specifications
1	Body	Cast Iron/ Ductile Iron	IS:210/ IS: 1865 SG 450/10
2	Seat Plate & Strainer	Cast Iron/ Ductile Iron	IS:210/ IS: 1865 SG 450/10
3	Hinge Pin	HT Brass	IS:320 HT - 2

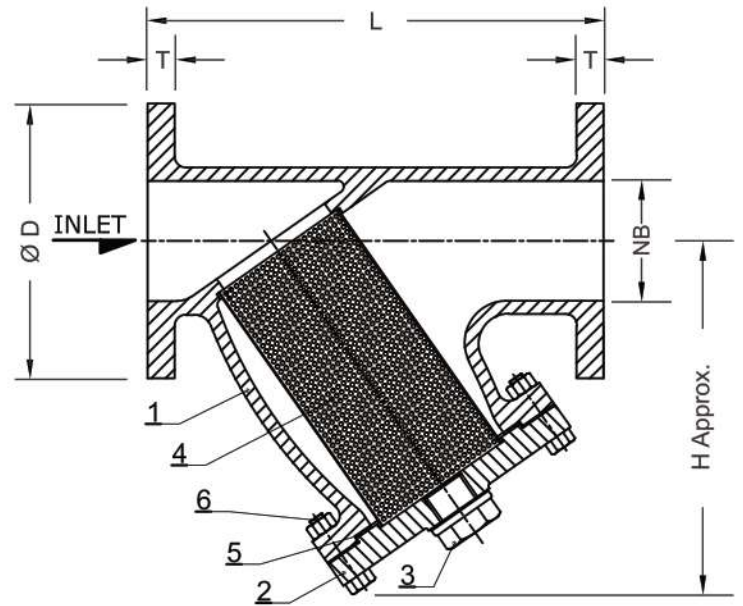
OVERALL DIMENSIONS (in mm)

Tolerances	Size	$\varnothing D$	C	B	H
<i>Single Door</i>					
	50mm	165	125	16	195
	65mm	185	145	16	207
	80mm	200	160	21	240
	100mm	220	180	22	270
	125mm	250	210	22.5	422
	150mm	285	240	23	423
<i>Double Door</i>					
	200mm	340	295	24.5	430
	250mm	395	350	26	500
	300mm	445	400	27	625

Application: **Water**

PN Rating: Available in **PN 0.2, PN 0.6, PN 1.0, PN 1.6**
(See table on Page No. 9)

Y Type Strainers



K 527

Application: **Water**

PN Rating: Available in **PN 1.0, PN 1.6, PN 2.0**
(See table on Page No. 9)

OVERALL DIMENSIONS (in mm)

Part No.	Part Name	Material	Specifications
1	Body	Cast Iron	IS 210, FG 200
		Ductile Iron	IS: 1865 SG 450/10
2	Cover	Cast Iron	IS 210, FG 200
		Ductile Iron	IS: 1865 SG 450/10
3	Plug	Ductile Iron	IS: 1865 SG 450/10
4	Screen	S.S. Steel	AISI-304
		Brass	
5	Gasket	Rubber	IS 638 Type B
		CAF	IS 2712
6	Bolts & Nuts	Carbon Steel	

Size	L	ØD	T	H
50	210	165	16	198
65	250	185	16	213
80	258	200	21	185
100	296	220	22	230
125	445	250	23	300
150	535	285	23	345
200	572	340	25	380
250	550	395	26	428
300	635	445	28	530

K 529

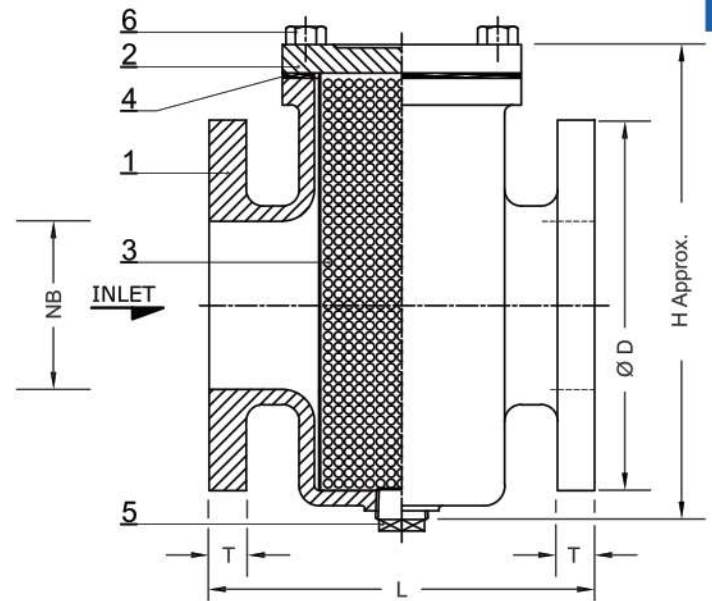
*Also available in screwed design
from 15mm to 100mm



T Type Strainers



K 528



Application: **Water**

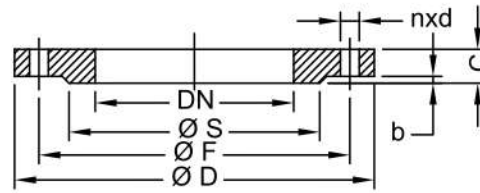
PN Rating: Available in **PN 1.0, PN 1.6, PN 2.0**
(See table on Page No. 9)

OVERALL DIMENSIONS (in mm)

Size	L	ØD	T	H
50	178	165	16	230
65	190	185	16	248
80	203	200	21	240
100	229	220	22	255
125	254	250	23	330
150	267	285	23	335
200	292	340	25	470
250	457	395	26	490
300	502	445	28	542
350	572	505	29	650
400	610	565	30	665
500	711	670	33	785

Part No.	Part Name	Material	Specifications
1	Body	Cast Iron	IS 210, FG 200
		Ductile Iron	IS: 1865 SG 450/10
2	Cover	Cast Iron	IS 210, FG 200
		Ductile Iron	IS: 1865 SG 450/10
3	Screen	S.S. Steel	AISI-304
		Brass	
4	Gasket	Rubber	IS 638 Type B
		CAF	IS 2712
5	Drain Plug	Carbon Steel	
	Drain Plate	Cast Iron	IS 210, FG 200
6	Bolts & Nuts	Carbon Steel	

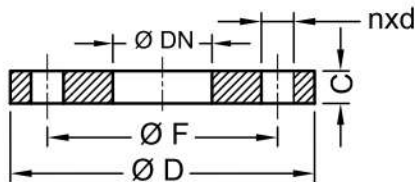
D.I. Flange Dimensions PN 1.0 / PN 1.6 (IS-9523)



n = No. Of Holes
d = Hole Dia.

DN Nominal Size	ØD Outside Dia.		C Thickness		ØSxb Raised FaceHt.		ØF PCD		nxd		Bolts	
	PN 1.0	PN 1.6	PN 1.0	PN 1.6	PN 1.0	PN 1.6	PN 1.0	PN 1.6	PN 1.0	PN 1.6	PN 1.0	PN 1.6
50	165		19		99 x 3		125		4x19		M-16	
65	185		19		118 x 3		145		4x19		M-16	
80	200		19		132 x 3		160		4x19 8x19		M-16	
100	220		19		156 x 3		180		8x19		M-16	
125	250		19		184 x 3		210		8x19		M-16	
150	285		19		211 x 3		240		8x23		M-20	
200	340		20		266 x 3		295		8x23	12x23	M-20	
250	395	400	22		319 x 3		350	355	12x23	12x28	M-20	M-24
300	445	455	24.5		370 x 4		400	410	12x23	12x28	M-20	M-24
350	505	520	24.5	26.5	429 x 4		460	470	16x23	16x28	M-20	M-24
400	565	580	24.5	28	480 x 4		515	525	16x28	16x31	M-24	M-27
450	615	640	25.5	30	530x4	548x4	565	585	20x28	20x31	M-24	M-27
500	670	715	26.5	31.5	582x4	609x4	620	650	20x28	20x34	M-24	M-30
600	780	840	30	36	682x5	720x5	725	770	20x31	20x37	M-27	M-33

C.I. Flange Dimensions as per IS 1538 : 1993



(DN) Nominal Size	D Outside Dia.	C Thickness	F PCD	n No. of Holes	d Hole Dia.	Bolts
*50	165	16	125	4	19	M-16
*65	185	16	145	4	19	M-16
80	200	21	160	4	19	M-16
100	220	22	180	8	19	M-16
125	250	22.5	210	8	19	M-16
150	285	23	240	8	23	M-20
200	340	24.5	295	8	23	M-20
250	395	26	350	12	23	M-20
300	445	27.5	400	12	23	M-20
350	505	29	460	6	23	M-20
400	565	30	515	16	28	M-24
450	615	31.5	565	20	28	M-24
500	670	33	620	20	28	M-24
600	780	36	725	20	31	M-27

Pressure Rating Table for Valves

PN	Bar	Kg./Cm ²	psi ²
PN 10/1.0 Mpa	Body	15	15.3
	Seat	10	10.2
PN 16/1.6 Mpa	Body	24	24.5
	Seat	16	16.3
PN 20/2.0 Mpa	Body	30	30.6
	Seat	20	20.4

1 Bar = 1.0197Kg/cm = 14.5 PSI

* Dimensions Refer from IS: 14846 : 2000
* Same dimensions for PN 1.0 & PN 1.6

A brief look to our other products

Visit our website to view our complete range



Butterfly Valve



Resilient Seated Gate Valve



Dual Plate Check Valve



Air Valve



Landing Valve



RRL Hose Pipe



Inlet Valve



Hose Reel Drum



SS Ball Valve



Forged Brass Ball Valve (Chrome Plated)



CI Ball Valve



Pressure Reducing Valve



- Plumbing
- Industrial Use
- Water Supply
- Fire Fighting
- Sewerage
- Irrigation



Our Other Product Ranges

- Butterfly Valves
- Check Valves
- Gate Valves
- Reflux Valves
- Air Valves
- Globe Valves
- Landing Valves
- Ball Valves
- Resilient Seated Gate Valve
- Fire Fighting Accessories
- Fire Hydrants
- Sprinkles
- Di Fittings

www.kartarvalves.com



Flat No: 302- 303 03 rd Floor, Hira Niketan, Kaliket Nagar,
Back Side Of Vatika Premier Hotel, IOCL Pipe Line Project HO
Building, Bailey Road, Danapur- Patna. Pin: 801503, Bihar
+91 9431011006, 9431076164, 9431099823, 9431133484
Base Line: 0612 3553356
Email: imagixprojects@gmail.com
www.imagixprojects.com